

## Coaxial Cabling : Video Distributor & Video Amplifier Series

**ITEM NO.:** CD102, CD104, CD108, CD408, CD816, CD116, CD1664, CD102A, CD408A, CD816A, CD1632A, CA101, CA101A, CA404,

CD102, CD104, CD108, CD408, CD816, CD116, CD1664 are video distributors with one or multi video input to multi output. CD102A, CD408A, CD816A, CD1632A, CA101, CA101A, CA404 are amplifiers for long- range video transmission up to 1000 meters over RG59 coaxial cable. They are suitable for far distance, different floor in a building or different electrical field.

### Features:

#### Video Distributor

**CD102** 1 Input to 2 Output,      **CD104** 1 Input to 4 Output  
**CD108** 1 Input to 8 Output,      **CD408** 4 Input to 8 Output  
**CD816** 8 Input to 16 Output,      **CD116** 1 Input to 16 Output  
**CD1664** 16 Input to 64 Output,

- It can be connected video camera, multiplexer, VCR, DVR...etc.
- Power supply included.

#### Video Distribution Amplifier

**CD102A** 1 Input to 2 Output,      **CD408A** 4 Input to 8 Output  
**CD816A** 8 Input to 16 Output,      **CD1632A** 16 Input to 32 Output

- Wide bandwidth, video gain compensation amplification.
- HF compensation.
- 10dB adjustable image gain.
- Sharpness and Brightness adjustment.
- Transmission range: 1000 meters (RG59 coaxial cable)
- It can be connected video camera, multiplexer, VCR, DVR...etc.
- Power supply included.

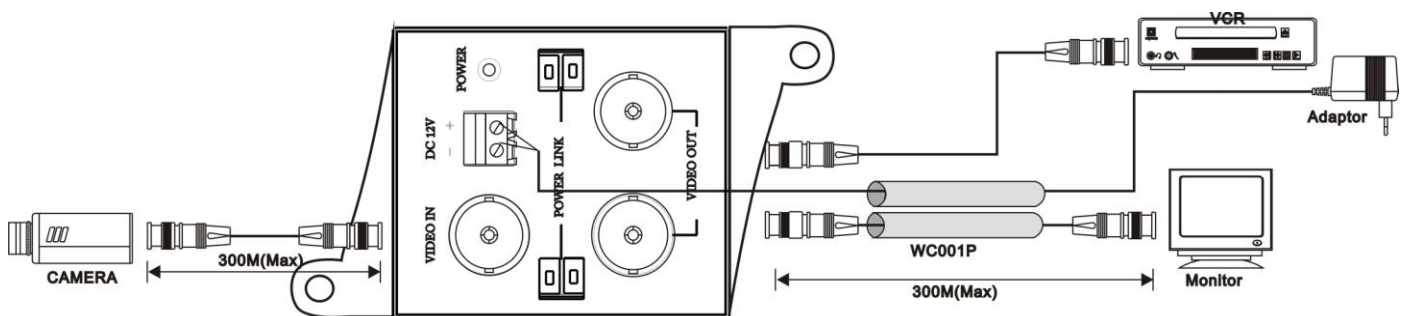
#### Video Amplifier

**CA101** 1 Input to 1 Output,      **CA101A** 1 Input to 1 Output with Audio  
**CA404** 4 Input to 4 Output

- Wide bandwidth, video gain compensation amplification.
- Video and Audio level adjustment. (CA101A)
- HF compensation.
- 10dB adjustable image gain.
- Sharpness and Brightness adjustment.
- Transmission range: 1000 meters (RG59 coaxial cable)
- It can be connected video camera, multiplexer, VCR, DVR...etc.
- Power supply included.

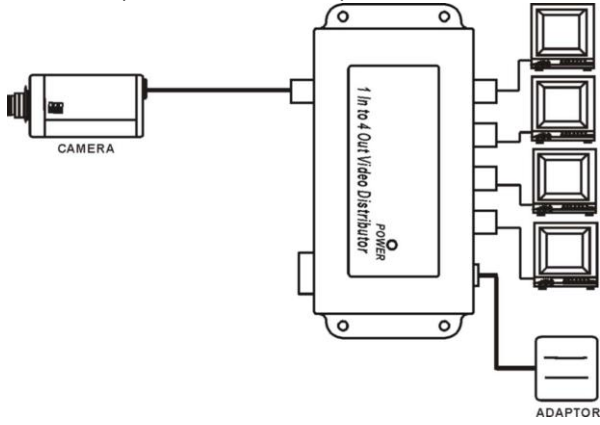
### Installation View:

CD102 (AC24V/DC12V)

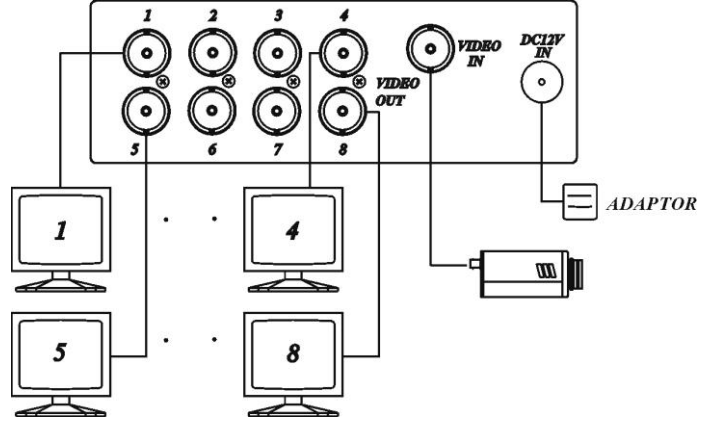


- When using multi distributors, a jumper is needed to extend power. ( Max of 8 per power adapter)  
Package includes a jumper for power loop.

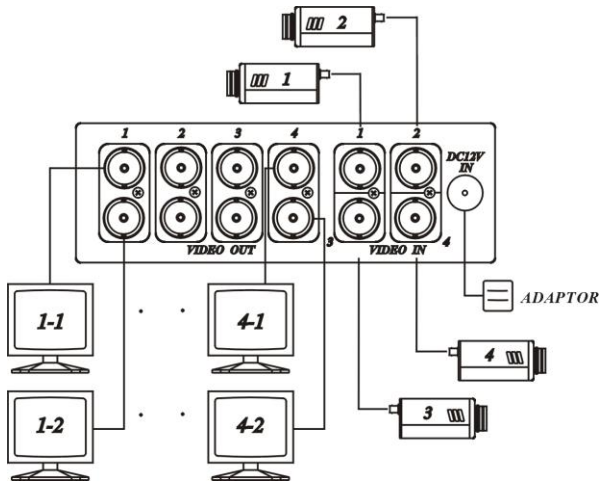
CD104 (AC24V/DC12V)



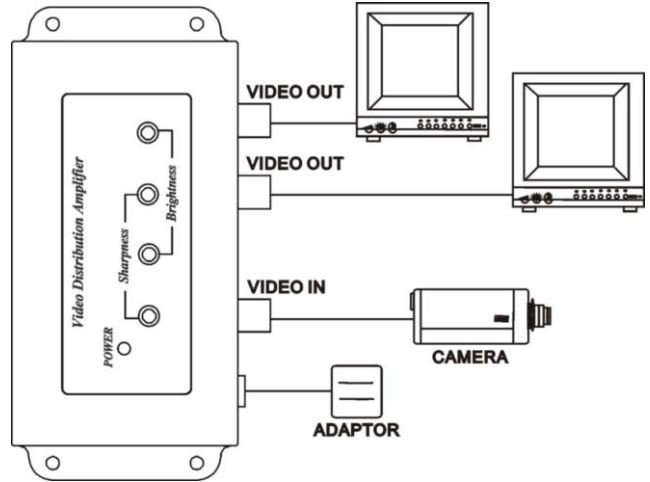
CD108



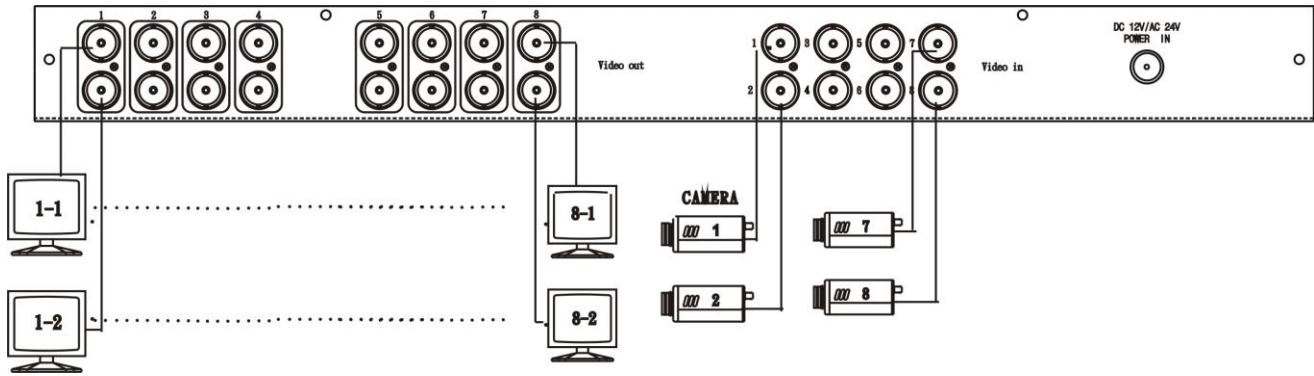
CD408/ CD408A



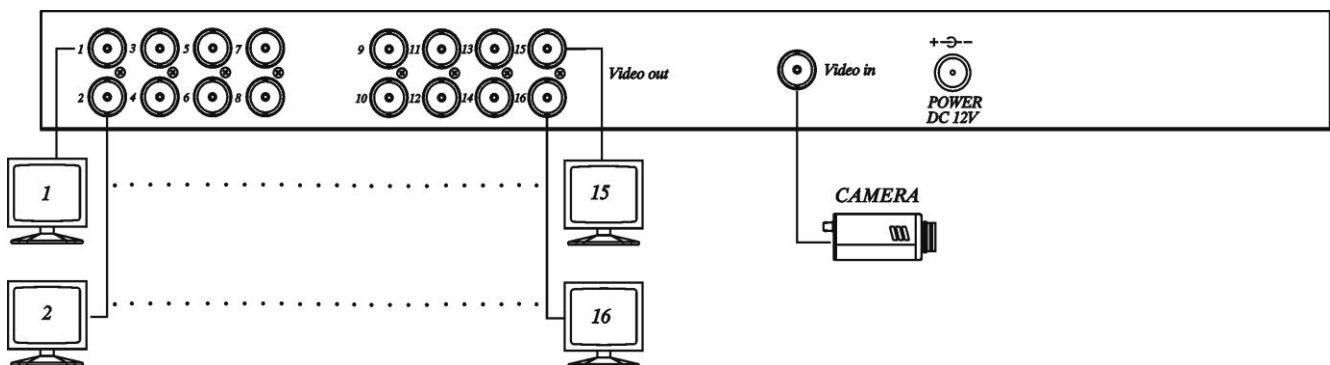
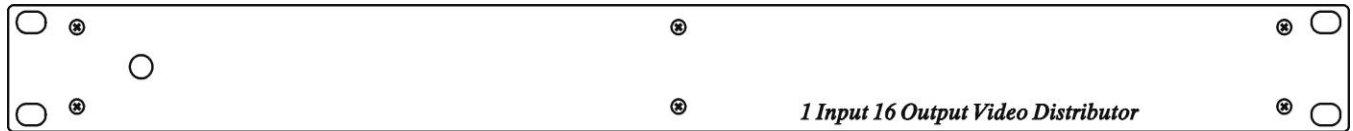
CD102A



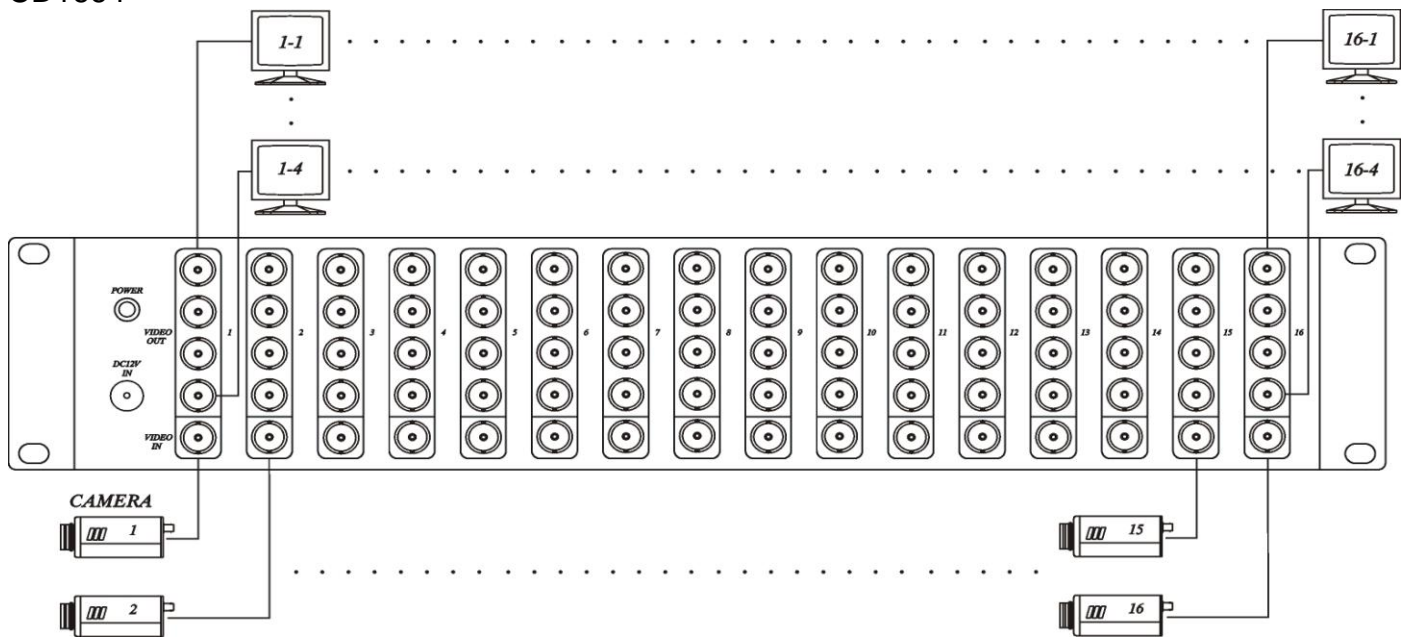
CD816 / CD816A



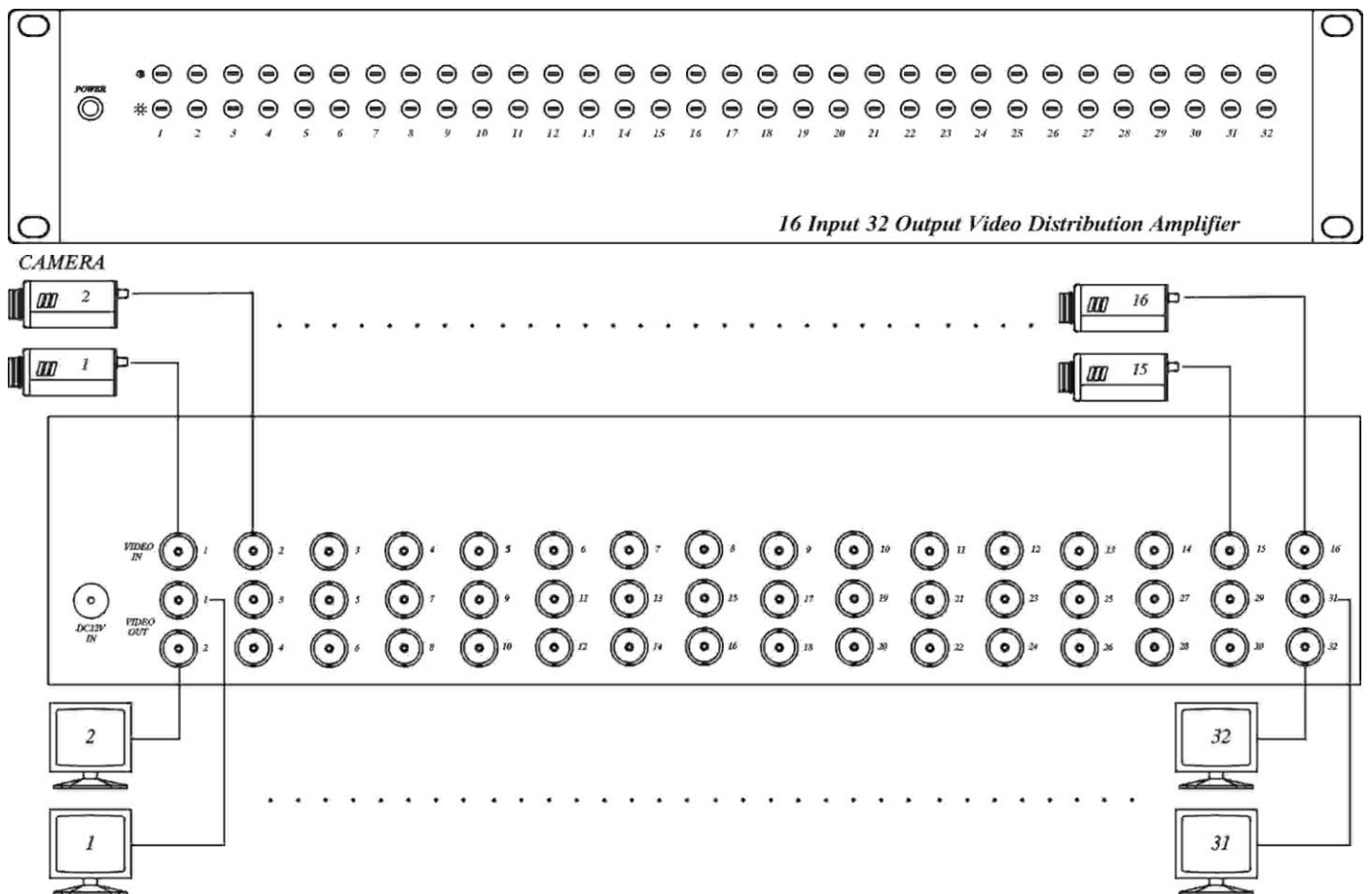
CD116



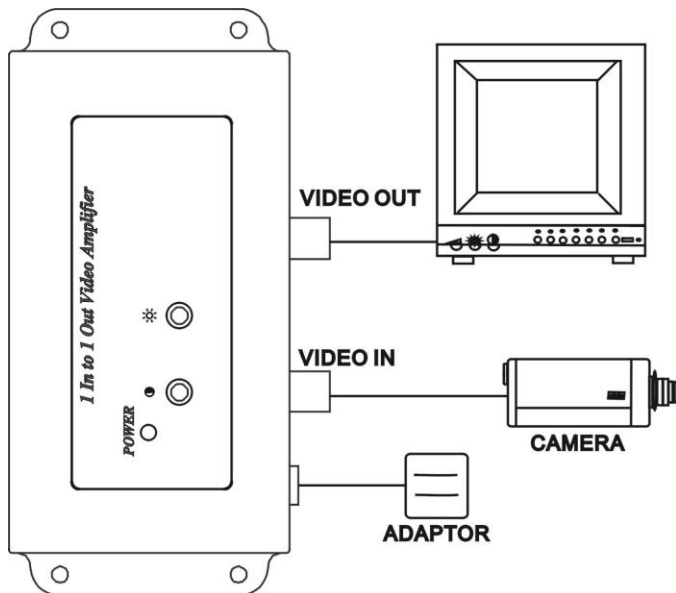
# CD1664



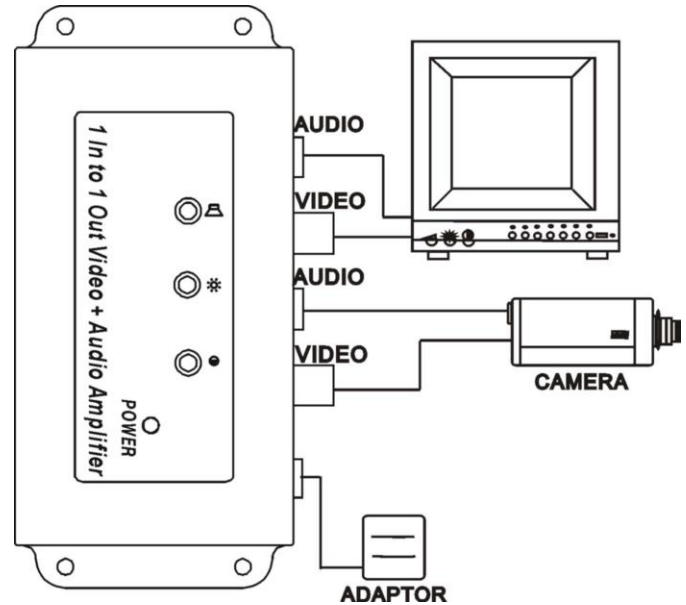
# CD1632A



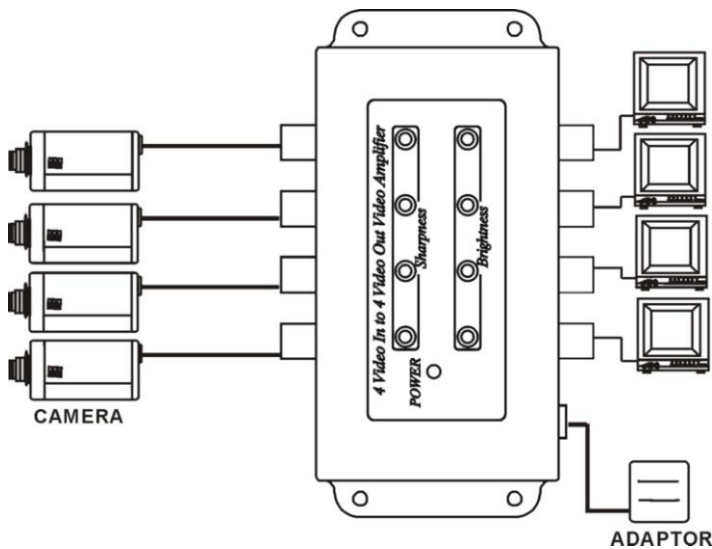
CA101



CA101A



CA404



## Troubleshooting:

All transmission distances mentioned above are without connecting image processor (e.g. Quad, Multiplexer, DVR), the transmission range would be reduced in 100-200 meters upon different camera, cable, DVR...ect.

1. When finish the installation, but no video signal, please check Power LED and power source.
2. Video signal is not normal; please check "+" and "-" of cable.

## Specifications:

ITEM NO.	CD102	CD104	CD108	CD408
Video Input Channel	BNC x 1	BNC x 1	BNC x 1	BNC x 4
Video Output Channel	BNC x 2	BNC x 4	BNC x 8	BNC x 8
Video Input Level	0.8~1.2Vp-p, 75 Ohms			
Video Output Level	1Vp-p (Standard), 75 Ohms			
Video Bandwidth	10hz - 10MHz			
Power Supply	DC12V 500mA / AC24V		DC12V / 500mA	
Power Consumption	40mA	100mA	150mA	150mA
Dimensions mm	43.2 x 74 x 45.2	138 x 85.6 x 29.5	133 x 87 x 44	133 x 145 x 44
Weight g	65	120	445	680

ITEM NO.	CD816	CD116	CD1664
Video Input Channel	BNC x 8	BNC x 1	BNC x 16
Video Output Channel	BNC x 16	BNC x 16	BNC x 64
Video Input Level	0.8~1.2Vp-p, 75 Ohms		
Video Output Level	1Vp-p (Standard), 75 Ohms		
Video Bandwidth	10hz - 10MHz		
Power Supply	DC12V 500mA / AC24V	DC12V / 500mA	DC12V / 1000mA
Power Consumption	250mA	250mA	800mA
Dimensions mm	483 x 185.2 x 44 (1U)	483 x 189 x 44 (1U)	483 x 110 x 88.4 (2U)
Weight g	2000	2035	2860

ITEM NO.	CD102A	CD408A	CD816A	CD1632A
Video Input Channel	BNC x 1	BNC x 4	BNC x 8	BNC x 16
Video Output Channel	BNC x 2	BNC x 8	BNC x 16	BNC x 32
Video Input Level	0.8~1.2Vp-p, 75 Ohms			
Video Output Level	1Vp-p (Standard), 75 Ohms			
Video Bandwidth	10hz - 10MHz			
Power Supply	DC12V / 500mA	DC12V / 500mA	DC12V 500mA / AC24V	DC12V/1200mA
Power Consumption	100mA	150mA	250mA	350mA
Dimensions mm	138 x 76.2 x 32	133 x 147.4 x 44	483 x 181.2 x 44(1U)	483 x 62 x 88.4(2U)
Weight g	110	720	2120	1610

ITEM NO.	CA101	CA101A	CA404
Video Input Channel	BNC x 1	BNC x 1	BNC x 4
Video Output Channel	BNC x 1	BNC x 1	BNC x 4
Audio Input Channel	x	RCA x 1	x
Audio Output Channel	x	RCA x 1	x
Video Input Level	0.8~1.2Vp-p, 75 Ohms		
Video Output Level	1Vp-p (Standard), 75 Ohms		
Video Bandwidth	10hz - 10MHz		
Transmission Range	1000 meters		
Power Supply	DC12V / 500mA		
Power Consumption	100mA	100mA	220mA
Dimensions mm	138 x 76.2 x 32	138 x 76.2 x 32	138 x 89 x 32
Weight g	100	105	145

RoHS   

Rev. C