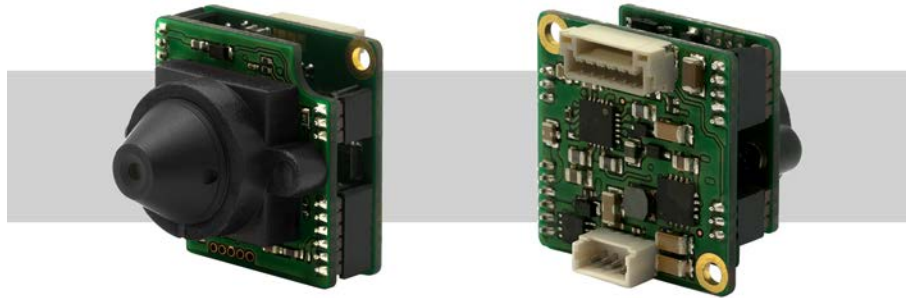


WAT-910HX MBD (P3.3) 1/3" Super High Sensitivity Miniature Board Camera

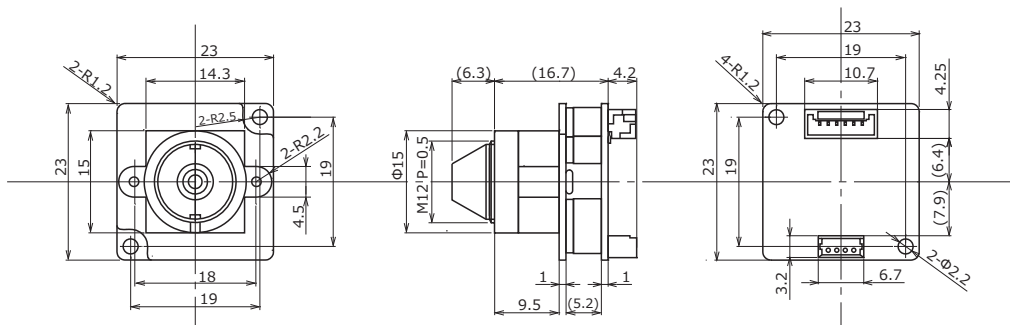
Ultra-compact design only 23 x 23mm for limited space and embedded application



Key features

- Advanced setting available by OSD (On Screen Display) through an optional controller
- Build-in M12 Conical Pinhole lens P3.3 (f=3.3mm F2.4)
- ※Miniature pinhole lenses cannot be interchanged with miniature glass lenses and vice versa

Dimensions



Specifications

Video standard	EIA	CCIR	
Pick-up element	1/3 inch interline transfer CCD image sensor		
Number of effective pixels	768(H) × 494(V)	752(H) × 582(V)	
Unit cell size	6.4μm(H) × 7.5μm(V)	6.5μm(H) × 6.3μm(V)	
Synchronizing system	Internal		
Scanning system	2:1 interlace		
Video output	Composite: 1.0 V(p-p) 75Ω, Unbalanced		
Resolution (H)	More than 570TVL (Center)		
Minimum illumination	0.00009 lx F1.8 (AGC=48dB, SENS UP ON)		
S/N	More than 50dB		
Function settings	OSD (On Screen Display) operated by optional remote controller		
AE mode	Fixed	x2, x4, x8, x16, x32, x64, x128, x256 (field)	
		1/60, 1/120 sec.	1/50, 1/100 sec.
		1/250, 1/500, 1/1000, 1/2000, 1/4000, 1/10000 sec.	
	EI	1/60 - 1/100000 sec.	1/50 - 1/100000 sec.
Flickerless	8FLD - 1/100000 sec. (SENS UP ON)		
AGC	OFF, ON, AUTO		
MGC	0 - 42dB (Selectable)		
Gamma characteristics	6, 12, 18, 24, 30, 36, 42, 48dB		
Noise reduction	γ≈0.45		
Wide dynamic range	2D+3DNR (Level selectable)		
Motion detection	ON (ATR) / OFF		
Back light compensation	ON / OFF		
White blemish correction	OFF / BLC / HLC		
Defog	Max 64 dots		
Digital zoom	ON (Level selectable) / OFF		
Privacy mask	ON (x1 - x256, Magnification selectable) / OFF		
Mirror image	15 masks		
Sharpness	OFF / H-FLIP / V-FLIP / HV-FLIP		
Power supply	0 - 15 (SHARPNESS)		
Power consumption	DC+12V±10%		
Operating temperature	0.96W (80mA)		
Storage temperature	-10 - +50°C		
Operating / Storage humidity	-30 - +70°C		
Lens mount	95% RH or less (Without condensation)		
Standard lens	M12 P=0.5		
Weight	3324B-12P(A) (f3.3 F2.4)		
Accessories	Approx. 9.5g		
	4P cable		

