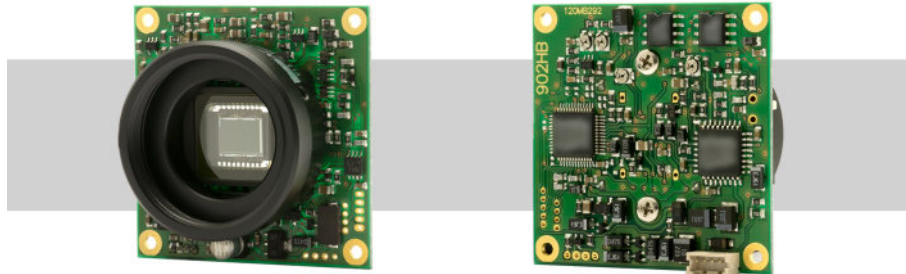


WAT-902HB2S 1/2" High Sensitivity Board Camera

NIR sensitivity with multi function

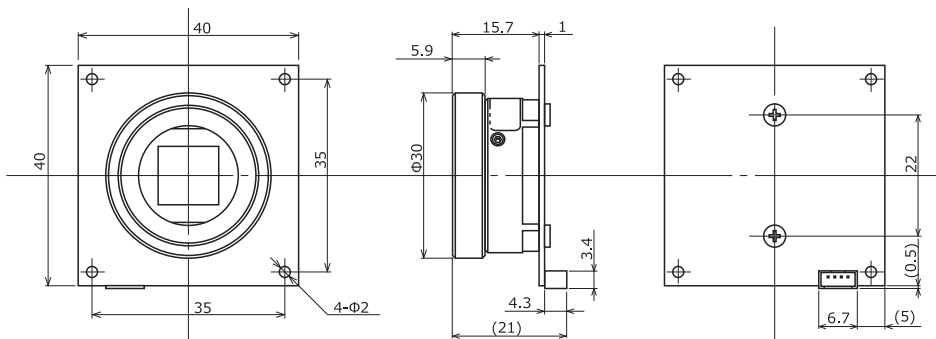


*NO CE & FCC

Key features

- Equality performance on NIR sensitivity and features to WAT-902H series
- Selectable camera settings for demanding scene conditions
- Electric iris, electric shutter, AGC, BLC and gamma switching

Dimensions



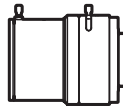
Specifications

Video standard		EIA	CCIR
Pick-up element		1/2 inch interline transfer CCD image sensor	
Number of effective pixels		768(H) × 494(V)	752(H) × 582(V)
Unit cell size		8.4μm(H) × 9.8μm(V)	8.6μm(H) × 8.3μm(V)
Synchronizing system		Internal	
Scanning system		2:1 interlace	
Video output		Composite video, 1.0 V(p-p) 75Ω (Unbalanced)	
Resolution (H)		More than 570TVL (Center)	
Minimum illumination		0.0003 lx F1.4 (AGC HIGH=50dB, Shutter=OFF)	
S/N		More than 50dB (AGC OFF=5dB, γ=1.0)	
Function settings		DIP Switch	
AE mode	Fixed	1/60, 1/100 sec.	1/50, 1/120 sec.
	EI	1/250, 1/500, 1/1000, 1/2000, 1/5000, 1/10000, 1/100000 sec.	
AGC	ON	1/60 - 1/100000 sec.	
	OFF	1/50 - 1/100000 sec.	
MGC		5 - 32dB (LOW), 5 - 50dB (HIGH)	
Gamma characteristics		5dB	
Video level		γ≠0.45, 1.0	
Noise reduction		100IRE	
Wide dynamic range		-	
Lens iris		-	
Back light compensation		Video	
White blemish correction		BLC	
Sharpness		-	
Defog		-	
Digital zoom		-	
Privacy mask		-	
Mirror image		-	
Freeze		-	
Motion detection		-	
Neg.image		-	
Interface		4P connector (Composite Video, Power in)	
Power supply		DC+12V±10%	
Power consumption		1.92W (160mA)	
Operating temperature		-10 - +40°C	
Storage temperature		-30 - +70°C	
Operating / Storage humidity		95% RH or less (Without condensation)	
Lens mount		CS mount	
Weight		Approx. 30g	
Accessories		4P cable, Hex. Wrench	

Accessories
 Options

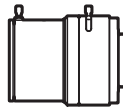
WAT-902HB2S

CS-mount lenses



*see www.variovision.tv for options

C-mount lenses



*see www.variovision.tv for options

C-mount adaptor



30CMA-R *402806

Miniature lenses / Mount adaptors



0814BC-12
*401618



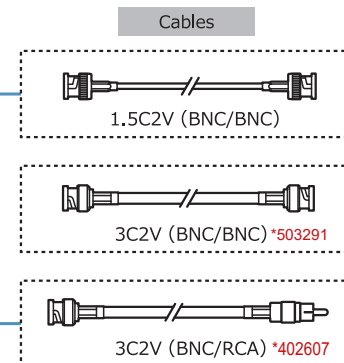
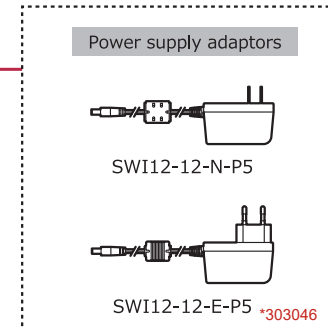
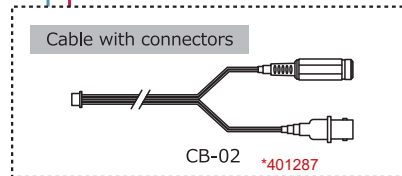
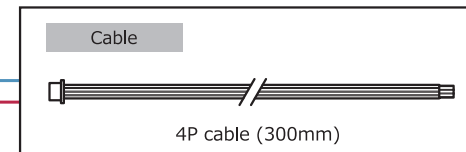
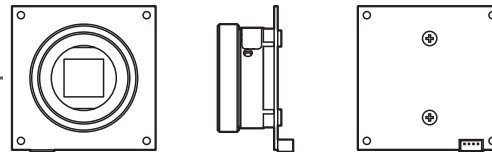
22PMA-M12-125
*401595



3745B-13P
*402825



22PMA-M13-040
*401596



*xxxxx = Variovision Art.N.