

WAT-3500

1/2.8" Multi-function Compact High Sensitivity Analog B&W Camera

Typical design model with multi-functions in a small body

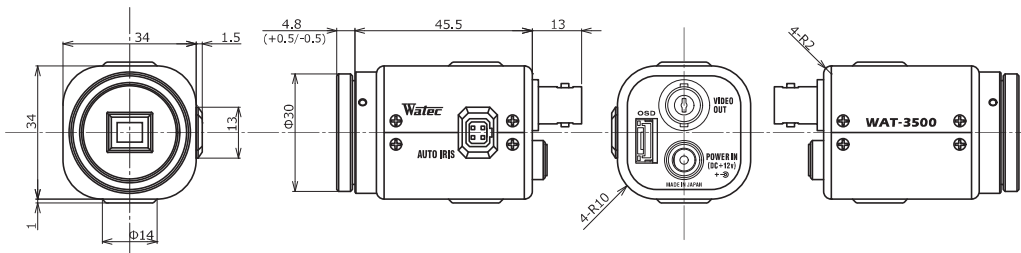
NEW



Key features

- 1/2.8-inch BSI CMOS image sensor with high sensitivity
- Advanced setting available by OSD (On Screen Display) through an optional remote controller
- Min. illumination 0.0001 lx F1.4 (AGC HIGH=72dB, Shutter=OFF)
0.000007 lx F1.4 (AGC HIGH=72dB, Shutter=x15)

Dimensions



Specifications

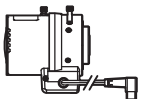
Video standard		EIA	CCIR
Pick-up element		1/2.8 inch BSI CMOS image sensor	
Number of effective pixels		1945(H) × 1097(V) *1	
Unit cell size		2.9µm(H) × 2.9µm(V)	
Imaging system		-	
Synchronizing system		Internal	
Scanning system		Progressive	
Video output		Composite: 1.0 V(p-p) 75Ω (Unbalanced)	
Setup level		7.5IRE	OIRE
Resolution (H)		More than 570TVL (Center)	
Minimum illumination		0.0001 lx F1.4 (AGC HIGH=72dB, Shutter=OFF) 0.000007 lx F1.4 (AGC HIGH=72dB, Shutter=x15)	
S/N		More than 45dB (AGC OFF=0dB, γ=1.0)	
Function settings		OSD : Remote controller	
AE mode	Fixed	x2, x3, x4, x5, x6, x7, x8, x9, x10, x12, x15 (frame)	
		1/30, 1/60, 1/120, 1/180, 1/240, 1/300 sec.	1/25, 1/50, 1/100, 1/150, 1/200, 1/250 sec.
	EI	1/500, 1/1000, 1/2000, 1/5000, 1/10000 sec.	1/25 - 1/10000 sec.
White balance		-	
AGC	ON	0 - 36dB (LOW), 0 - 50dB (MID), 0 - 72dB (HIGH)	
	OFF	0dB	
MGC		0 - 72dB (5dB step)	
Day/Night		-	
Gamma characteristics		γ=USER (Level adjustable)	
Video level		-	
Noise reduction		3DNR OFF/ON Level adjustable, 2DNR OFF/ON Level adjustable, 3D+2DNR ON Level adjustable	
Wide dynamic range		WDR OFF/ON Level adjustable, D-WDR OFF/ON Level adjustable	
Lens iris		DC	
Back light compensation		BLC, HSBLC	
White blemish correction		Up to 2046 pixels	
Sharpness		OFF/ON Level adjustable	
Defog		OFF/ON Level adjustable	
Digital zoom		ZOOM (x1.01 - x6.00), PAN/TILT	
Privacy mask		8 masks	
Mirror image		OFF, V-FLIP, H-FLIP, HV-FLIP	
Freeze		OFF/ON	
Motion detection		-	
Neg.image		OFF/ON	
Interface		BNC (Composite video), Power in, Remote controller (RC-01), Auto iris	
Power supply		DC+12V±10%	
Power consumption		2.52W (210mA)	
Operating / Storage temperature		-10 - +50°C / -30 - +70°C	
Operating / Storage humidity		95%RH or less (Without condensation)	
Lens mount		CS mount (Back focus adjustable)	
Weight		Approx. 78g	
Accessories		WPDC12 (DC plug), Hex. wrench	
Acquired Standards		FCC *2	

*1: The output is cut out according to the video standard. *2: CE standard is not acquired.

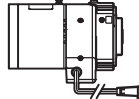
Accessories
 Options

CS-mount lenses

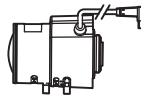
**see www.variovision.tv for more lens options*



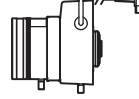
M13VG288IR



M13VG850IR




AG3Z2812FCS-MPWIR




AG4Z1214FCS-MPIR
**2246H*

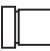
Miniature lenses / Mount adaptors




M2520BC-12
**401304*



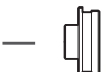
M2920BC-12
**401305*




M3620BC-12
**401306*



M0620BC-12
**401302*

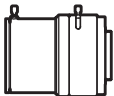


28MMA-M12-155
**401556*




M1625BC-12
**503136*

C-mount lenses

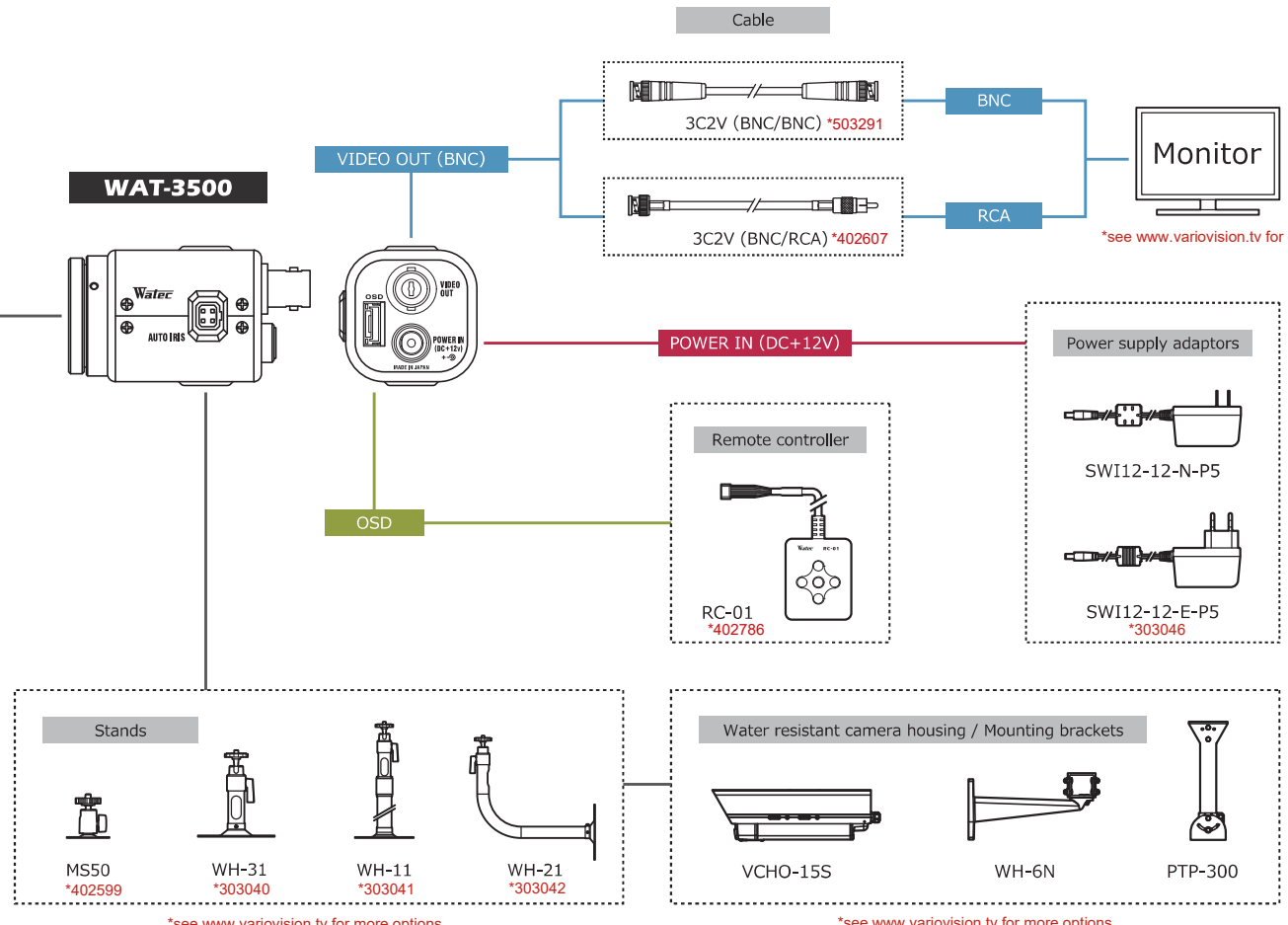


C-mount adaptor




30CMA-R **402806*


**see www.variovision.tv for options*




Stands



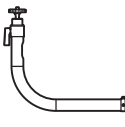
MS50
**402599*



WH-31
**303040*




WH-11
**303041*




WH-21
**303042*

**see www.variovision.tv for more options*


Water resistant camera housing / Mounting brackets



VCHO-15S



WH-6N



PTP-300

**see www.variovision.tv for more options*

***xxxxx = Variovision Art.N.**