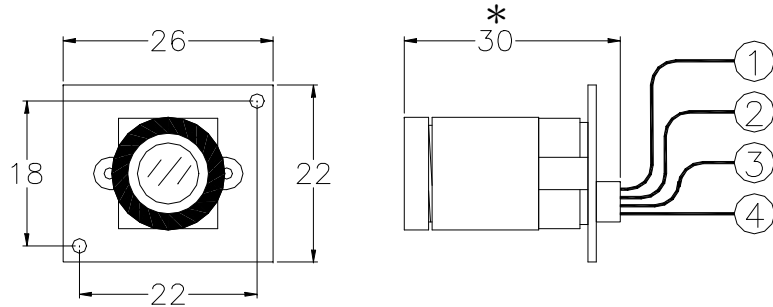


MTV-54C0H-R COLOR BOARD CAMERA INSTRUCTION

Dimension: Unit (mm / ±0.3mm , * dimension only reference)



P1 (RED), +12V DC-POWER INPUT P4 (YELLOW), MIRROR SELECTOR
 P2 (BLACK), GND OPEN-NORMAL
 P3 (WHITE), VIDEO OUTPUT GND- MIRROR

"Warning!!! P4 (Mirror pin)

Open or connect to GND only. Shall never connect to +12V, damage will be occurred.

The camera are only operated with regulative adaptor DC 12V,
 AC to DC non-regulative adaptor may cause camera damaged.

SPECIFICATION (RoHS Conform)

MODE NO.	MTV-54C0HN-R	MK-54C0HP-R
TV SYSTEM	NTSC	PAL
IMAGE SENSOR	1/4-inch CCD	Image Sensor
CCD EFFECTIVE PIXELS	768 (H) x 494 (V)	752 (H) x 582 (V)
SCANNING SYSTEM	525 lines, 60 fields/sec	625 lines, 50 fields/sec
SYNC SYSTEM	Internal	
MINIMUM ILLUMINATION	1.5 Lux F1.2	5600°K
LENS & VIEW ANGLE	3.6 mm F2.0 / 68°	
RESOLUTION	470TVL / 580 TVL (Enhanced)	
SIGNAL TO NOISE RATIO	52dB (MIN) / 60dB (TYP) (AGC OFF)	
WHITE BALANCE	Auto high speed White Balance	
WHITE BALANCE RANGE	3200 --- 15000°K	
AUTO IRIS	A.E.S.	
ELECTRONIC SHUTTER	1/60~1/120,000 sec.	1/50~1/120,000 sec.
VIDEO OUTPUT	1.0V p-p composite video at 75 ohm	
GAMMA CORRECTION	0.45	
MIRROR FUNCTION	ON/OFF switchable	
GAIN CONTROL	AGC	
OPERATION TEMPERATURE	-20°C TO 50°C	
OPERATIONAL HUMIDITY	within 85% RH	
POWER SUPPLY	DC12V / 65mA	

* The specifications and appearance of the product may changed without notice.

8-001-0342-R (A1)