

AVT1303

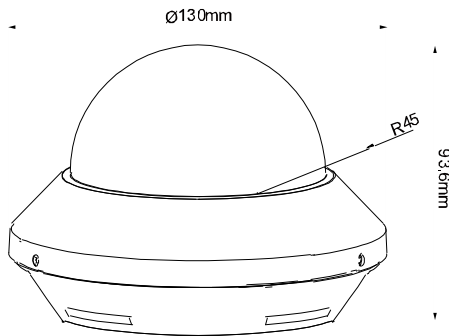
HD CCTV 1080P IR Dome Camera



● FEATURES

- (1) 1/2.7" CMOS Sensor with 1080P video output
- (2) External alarm I/O device connection
- (3) With motorized 316-degree pan, the camera can achieve a wide range of view, giving users more comprehensive control over the monitored site.
- (4) Camera parameters adjustable when used with HD CCTV DVR
- (5) IR effective distance up to 20 meters for 24-hour surveillance
- (6) PIR sensor built-in for alarm detection

● DIMENSIONS*



*Dimensional Tolerance: ± 5mm

● SPECIFICATIONS*

| MODEL | AVT1303 |
|----------------------------|--|
| Pick-up Element | 1/2.7" CMOS image sensor |
| Number of Pixels | 1930(H) x 1088(V) |
| Video Frame Rate | 1080P@30fps / 1080P@25fps |
| Min. Illumination | 1 Lux / F2.0 |
| S/N Ratio | More than 48dB (AGC OFF) |
| Shutter Speed | 1/30 (1/25) sec ~ 1/720000 (1/600000)sec |
| Lens | f2.8mm / F1.8 |
| Lens Angle | 118° (Horizontal) / 65° (Vertical) / 136° (Diagonal) |
| IR LED | 2 Units |
| IR Effective Distance | 20 meters |
| PIR Sensor | Detection Range 76° wide angle with up to 5m long distance at 2.5m height (under 30°C) |
| IR Shift | YES |
| Day & Night Mode | YES |
| IRIS Mode | AES |
| White Balance | AUTO / USER / PUSH / 8000K / 6000K / 4200K / 3200K |
| AGC | Adjustable |
| Sharpness | Adjustable |
| Flickerless | 50HZ / 60HZ / OFF |
| BLC | Adjustable |
| External alarm I/O | YES (1 input / 1 output) |
| Operating Temperature | 0°C ~ 40°C |
| Operating Humidity | Less than 60% relative humidity |
| Power Source (±10%) | DC12V / 1A |
| Current consumption (±10%) | 421mA. |