

# AVT1303

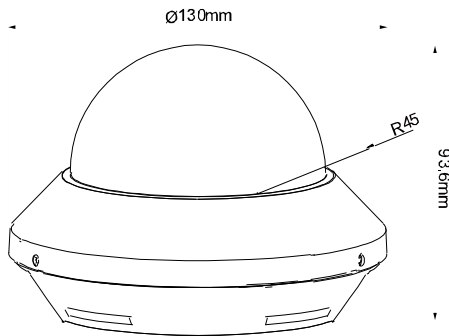
## HD CCTV 1080P IR Dome Camera



### ● FEATURES

- (1) 1/2.7" CMOS Sensor with 1080P video output
- (2) External alarm I/O device connection
- (3) With motorized 316-degree pan, the camera can achieve a wide range of view, giving users more comprehensive control over the monitored site.
- (4) Camera parameters adjustable when used with HD CCTV DVR
- (5) IR effective distance up to 20 meters for 24-hour surveillance
- (6) PIR sensor built-in for alarm detection

### ● DIMENSIONS\*



\*Dimensional Tolerance: ± 5mm

### ● SPECIFICATIONS\*

MODEL	AVT1303
Pick-up Element	1/2.7" CMOS image sensor
Number of Pixels	1930(H) x 1088(V)
Video Frame Rate	1080P@30fps / 1080P@25fps
Min. Illumination	1 Lux / F2.0
S/N Ratio	More than 48dB (AGC OFF)
Shutter Speed	1/30 (1/25) sec ~ 1/720000 (1/600000)sec
Lens	f2.8mm / F1.8
Lens Angle	118° (Horizontal) / 65° (Vertical) / 136° (Diagonal)
IR LED	2 Units
IR Effective Distance	20 meters
PIR Sensor	Detection Range 76° wide angle with up to 5m long distance at 2.5m height (under 30°C)
IR Shift	YES
Day & Night Mode	YES
IRIS Mode	AES
White Balance	AUTO / USER / PUSH / 8000K / 6000K / 4200K / 3200K
AGC	Adjustable
Sharpness	Adjustable
Flickerless	50HZ / 60HZ / OFF
BLC	Adjustable
External alarm I/O	YES (1 input / 1 output)
Operating Temperature	0°C ~ 40°C
Operating Humidity	Less than 60% relative humidity
Power Source (±10%)	DC12V / 1A
Current consumption (±10%)	421mA.